

Multi-Throw Product Capability

Stocked EM Standard EM Custom EM Standard PIN **Multi-Throw PIN** High Power PIN Switched Attenuators Switched Filter Banks Limiters

Multi-Throw PIN Diode Switches



Type	SP8T	SP10T	SP12T	SP18T	SP25T
Frequency Range GHz	1 to 18	1 to 18	6 to 18	.020 to 4	.5 to 18
Switching time - ns	50	500	700	3500	2000
Insertion Loss max 1-12 GHz	4.5	4.3	5	6.7@.020, 9.2@ 4	3.5 @ .5, 7.5@18
Insertion Loss max 12-18 GHz	5	5.6	7		
VSWR max	2.2:1	2.2:1	2.2:2	2.0:1	2.25:1
Isolation mim dB	60	60	60	60	60
Power Handling - mW	200	500	200	200	
Power Supply Requirements					
mA@-12V to -15V	270	300	350	300	220ma@5V, 45ma@-12V
Outline Drawing	1	2	3	4	5
Notes			3	1	2

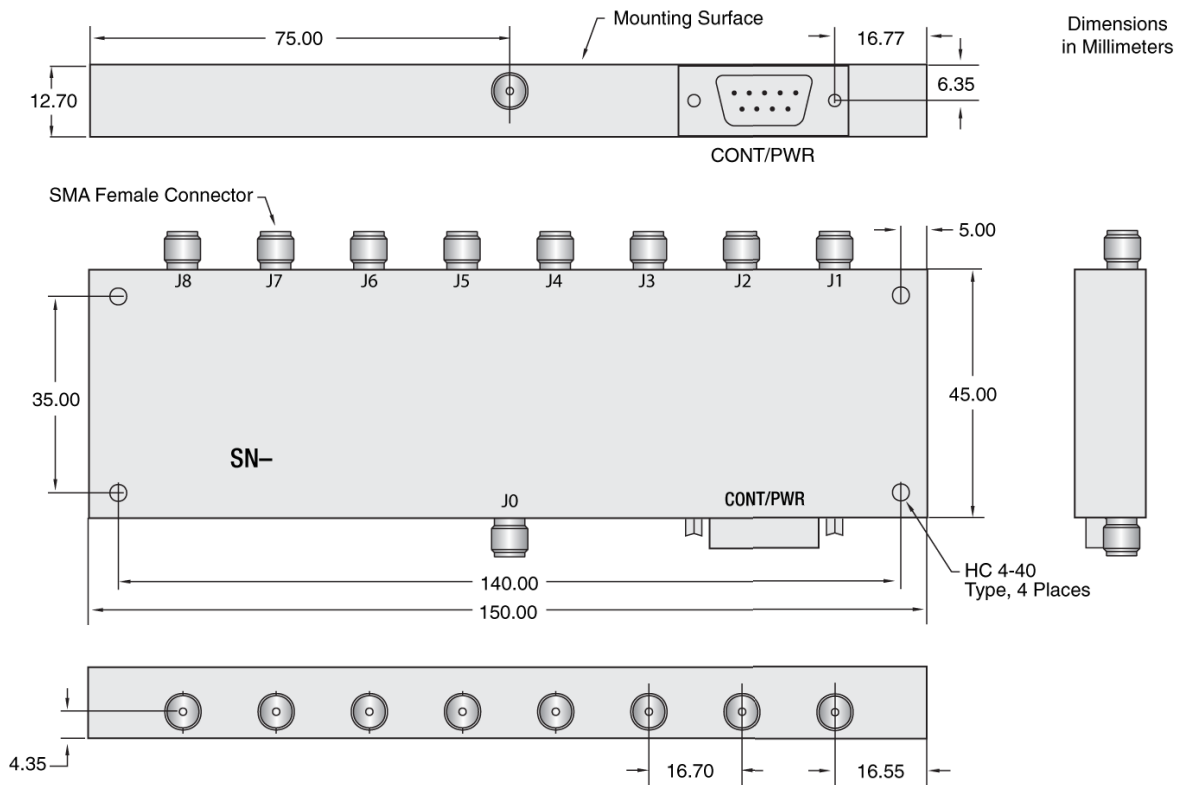
1. Built in coupler and amplifier
2. Built in output coupler
3. Amplitude matched

REFLECTIVE MODELS AVAILABLE

Multi-Throw Product Capability

Stocked EM Standard EM Custom EM Standard PIN **Multi-Throw PIN** High Power PIN Switched Attenuators Switched Filter Banks Limiters

Multi-Throw PIN Diode Switches



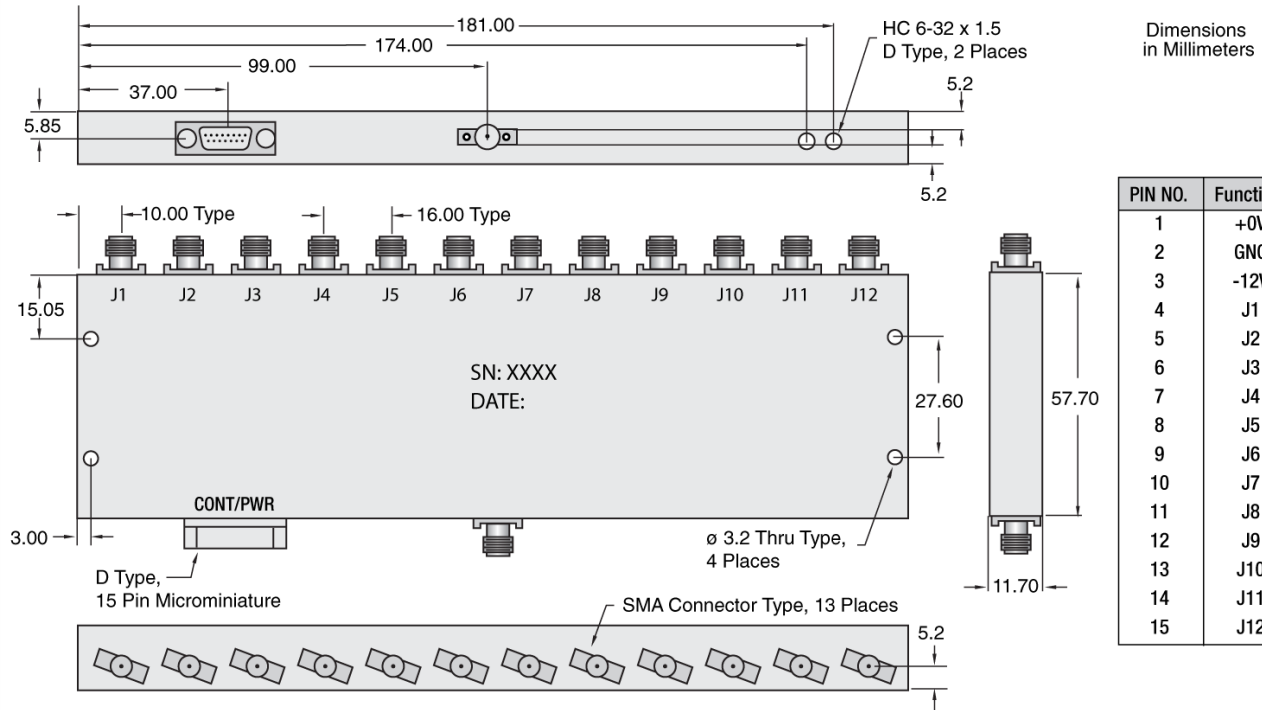
PIN	1	2	3	
	0	0	0	J0 TO J1
	0	0	1	J0 TO J2
	0	1	0	J0 TO J3
	0	1	1	J0 TO J4
	1	0	0	J0 TO J5
	1	0	0	J0 TO J6
	1	1	0	J0 TO J7
	1	1	1	J0 TO J8
6	-12			
7	GND			
8	+5V			

Outline 1
SP8T

Multi-Throw Product Capability

Stocked EM Standard EM Custom EM Standard PIN **Multi-Throw PIN** High Power PIN Switched Attenuators Switched Filter Banks Limiters

Multi-Throw PIN Diode Switches

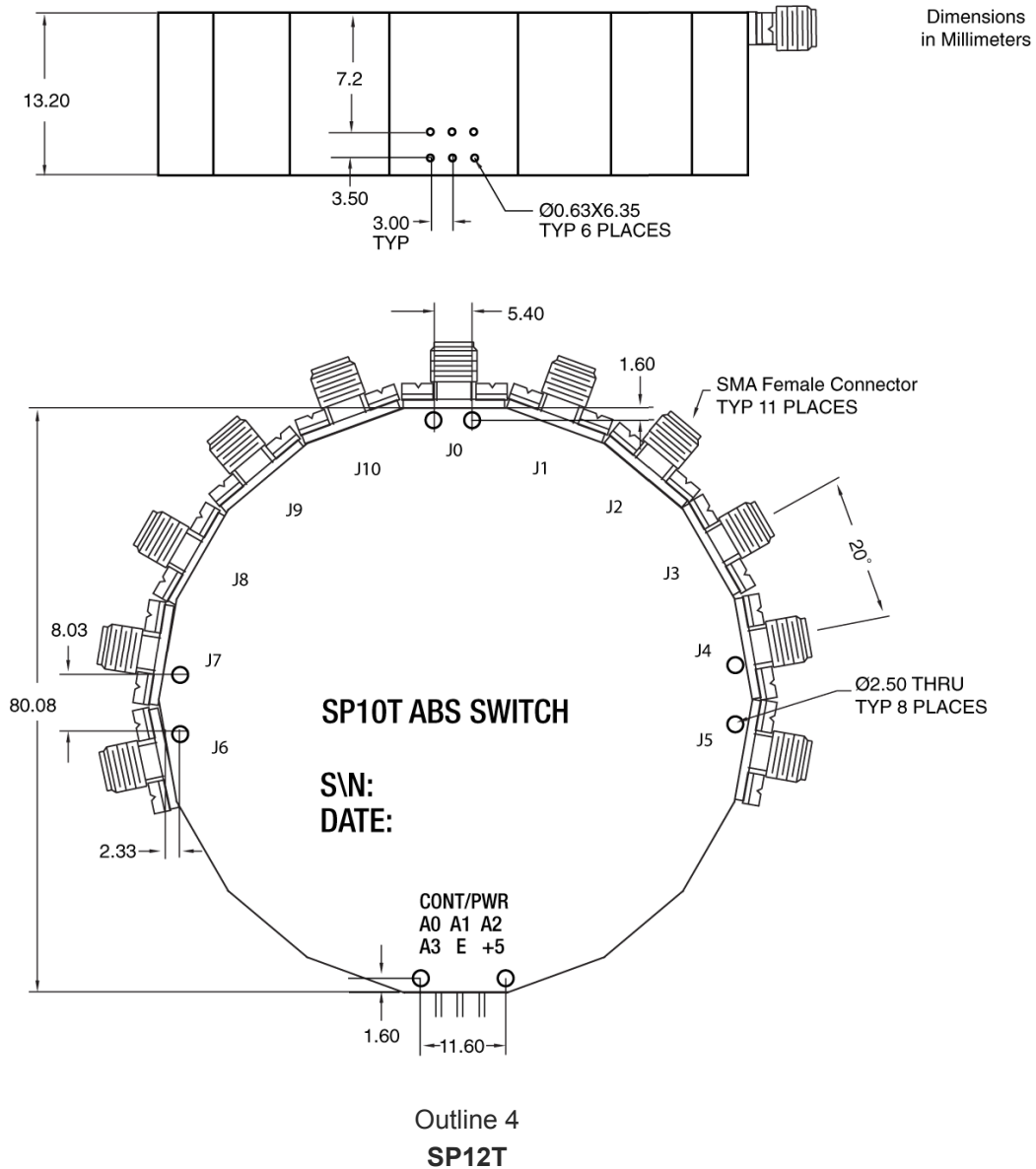


Outline 2
SP10T

Multi-Throw Product Capability

Stocked EM Standard EM Custom EM Standard PIN **Multi-Throw PIN** High Power PIN Switched Attenuators Switched Filter Banks Limiters

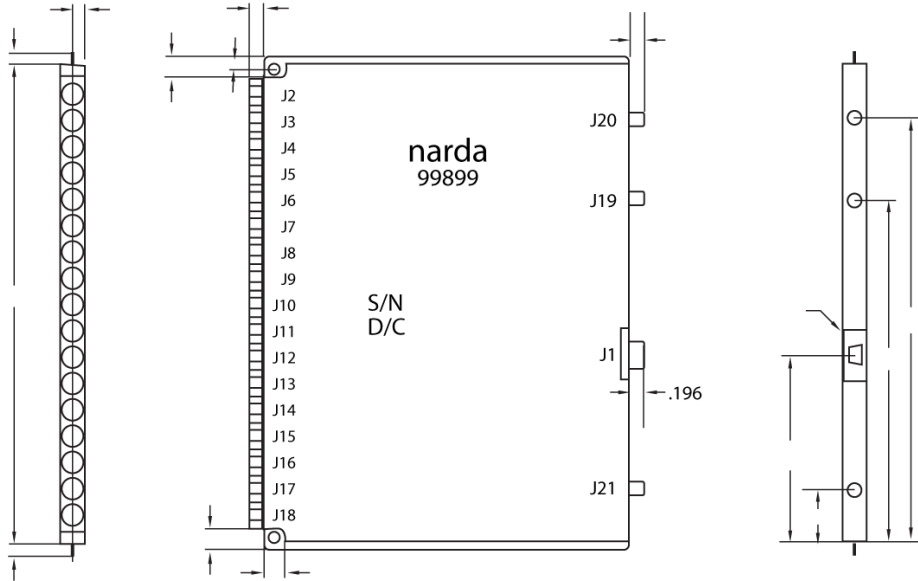
Multi-Throw PIN Diode Switches



Multi-Throw Product Capability

Stocked EM Standard EM Custom EM Standard PIN **Multi-Throw PIN** High Power PIN Switched Attenuators Switched Filter Banks Limiters

Multi-Throw PIN Diode Switches

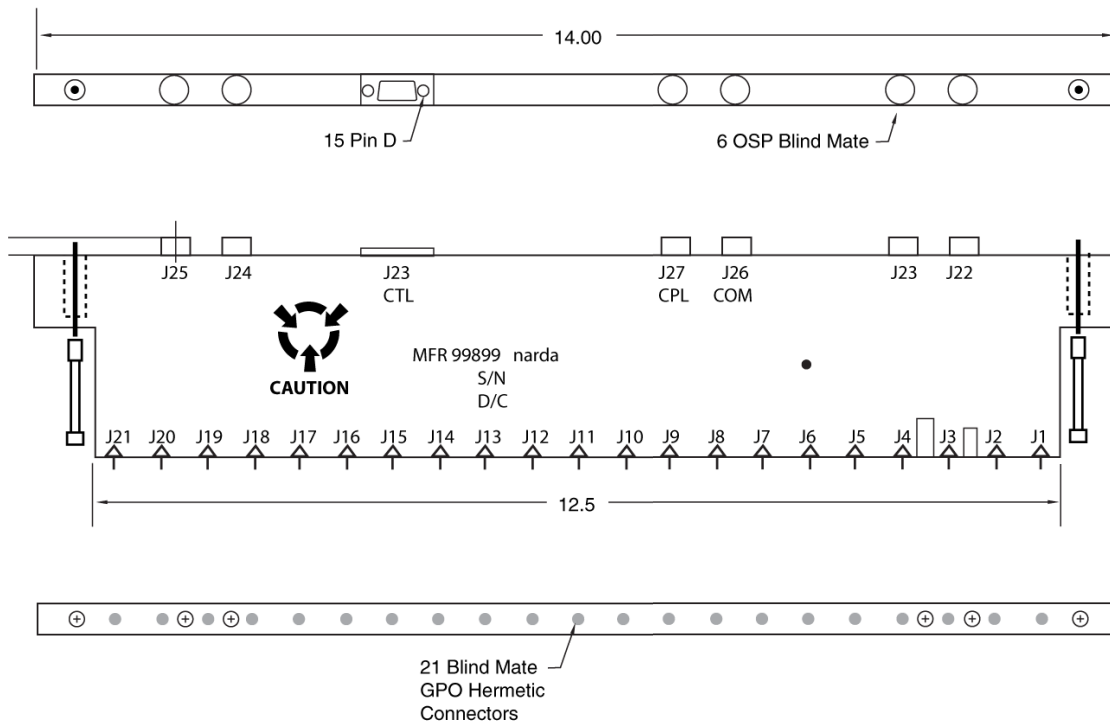


Outline 3
SP18T

Multi-Throw Product Capability

Stocked EM Standard EM Custom EM Standard PIN **Multi-Throw PIN** High Power PIN Switched Attenuators Switched Filter Banks Limiters

Multi-Throw PIN Diode Switches



Outline 5
SP25T